



**浩畅半导体**  
www.szhaochang.cn

**MBR30100CT**

30.0 AMPS. Schottky Barrier Rectifiers

产  
品  
规  
格  
书

承  
认  
书

客户确认：

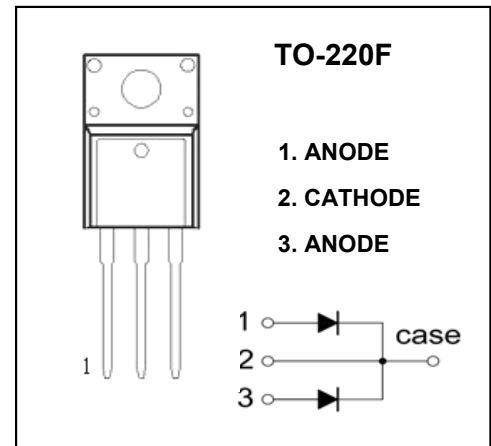
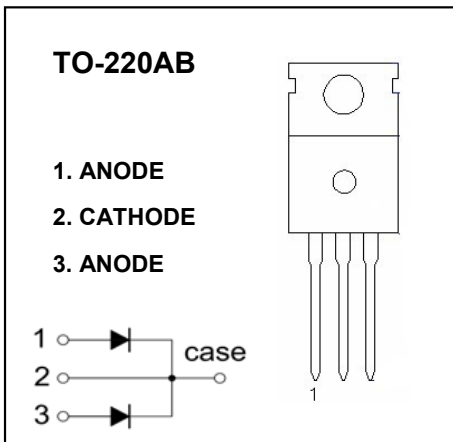
公司签章：

部门	工程部	品保部	采购部
签名			
日期			



# MBR30100CT

30.0 AMPS. Schottky Barrier Rectifiers



### MAXIMUM RATINGS ( $T_a=25^\circ\text{C}$ unless otherwise noted )

Symbol	Parameter	Value	Unit
$V_{RRM}$	Peak repetitive reverse voltage	100	V
$V_{RWM}$	Working peak reverse voltage		
$V_R$	DC blocking voltage		
$V_{R(RMS)}$	RMS reverse voltage	70	V
$I_O$	Average rectified output current	30	A
$I_{FSM}$	Non-Repetitive peak forward surge current 8.3ms half sine wave	350	A
$P_D$	Power dissipation	2	W
$R_{\theta JA}$	Thermal resistance from junction to ambient	50	$^\circ\text{C/W}$
$T_j$	Junction temperature	150	$^\circ\text{C}$
$T_{stg}$	Storage temperature	-55~+150	$^\circ\text{C}$

### ELECTRICAL CHARACTERISTICS ( $T_a=25^\circ\text{C}$ unless otherwise specified )

Parameter	Symbol	Test conditions	Min	Typ	Max	Unit
Reverse voltage	$V_{(BR)}$	$I_R=1\text{mA}$	100			V
Reverse current	$I_R$	$V_R=100\text{V}$			100	$\mu\text{A}$
Forward voltage	$V_{F1}$	$I_F=15\text{A}$			1	V
Forward voltage	$V_{F2^*}$	$I_F=30\text{A}$			1.05	V
Typical total capacitance	$C_{tot}$	$V_R=4\text{V}, f=1\text{MHz}$		300		pF

# MBR3020CT-MBR30200CT

FIG. 1-TYPICAL FORWARD CURRENT DERATING CURVE

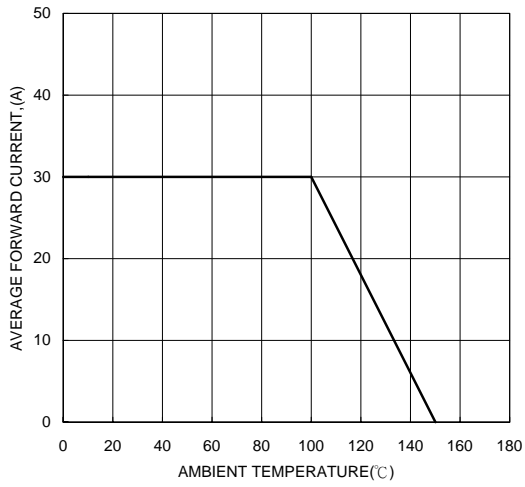


FIG. 2-TYPICAL FORWARD CHARACTERISTICS

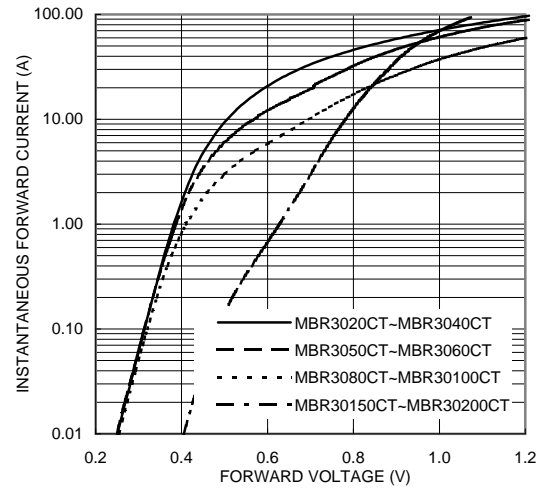


FIG. 3-MAXIMUM NON-REPETITIVE FORWARD SURGE CURRENT

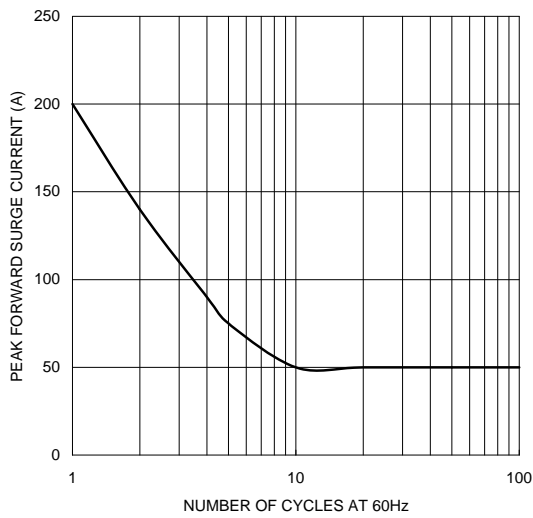


FIG. 4-TYPICAL REVERSE CHARACTERISTICS

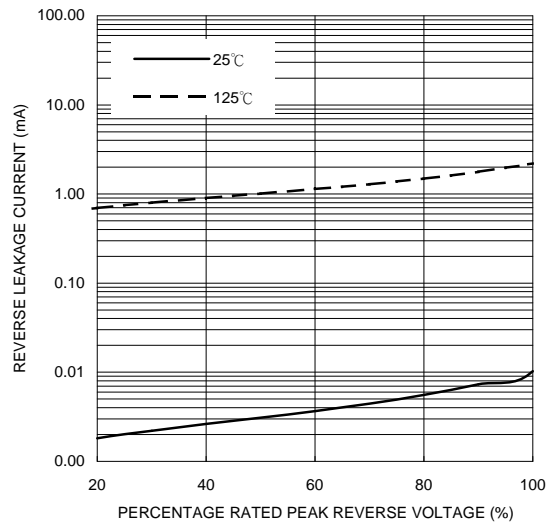


FIG. 5-TYPICAL JUNCTION CAPACITANCE

